

Hybrid Gantry Press

Roof

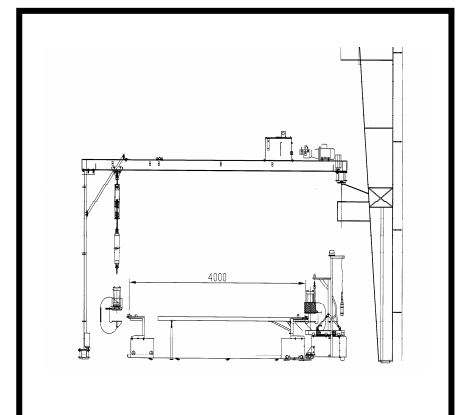
Wall

Floor

Sawing

Timber Jointing

Production Tools



- Designed to minimise floor space requirements
- Can be used with manual truss jiggling systems and bottom chord press
- Allows installation close to fixed obstructions (wall, columns)
- Hydraulic controls for smooth travel
- Provides safe work space in confined areas

Hybrid Gantry Press

The unique Pryda Hybrid Gantry Press has been designed to allow for minimal floor space to be used and locate close to fixed obstructions (such as columns or walls). The combination of a standard portal and overhead gantry system allows for most of the advantages of an overhead system without all the expensive installation costs. Once the travel rails are installed, mechanical set-up of the system is very simple and easy.

The press's 25 Tonne capacity is proven to meet most of Australia's requirements, but in cases where additional force is required (i.e. excessively dense timber or large nailplates). 30, 38 & 45 tonne heads can be provided.

Safe use of secondary pressing systems (bottom chord press) and movement of cut components into the pressing area are unhindered by a conventional portal A-frame.

The unit's hydraulic power unit is installed on the top beam, further reducing the required floor space and safe work zone. The lever controls allow the operator to smoothly control both the pressing and travelling functions.

SPECIFICATIONS

		Dimensions	
Press capacity (tonnage)			25 Tonnes
Overall dimensions (std unit)	- width (overall)	mm	6100
	- width (A-Frame)	mm	2540
	- height (overall)	mm	4130
Top rail height (corbel beam)		mm	3239
Rail track centres (std)		mm	5856
Platen size	- width	mm	250
	- depth	mm	220
Platen (bottom) work height (std)		mm	700
Travel speed			Walking pace
Weight (approx)		kg	1050
Installation requirements			
Power			415 volt, 3-phase, 15 amp, 4-wire
Air			Nil
Foundation			Level, sound concrete floor & corbel beam

RELATED EQUIPMENT

- 30, 38 & 45 Tonne press capacity
- Additional width beam to suit bottom chord presses or larger apex height
- Press head hydraulic height ram
- Electric drive system
- Electrical supply system